

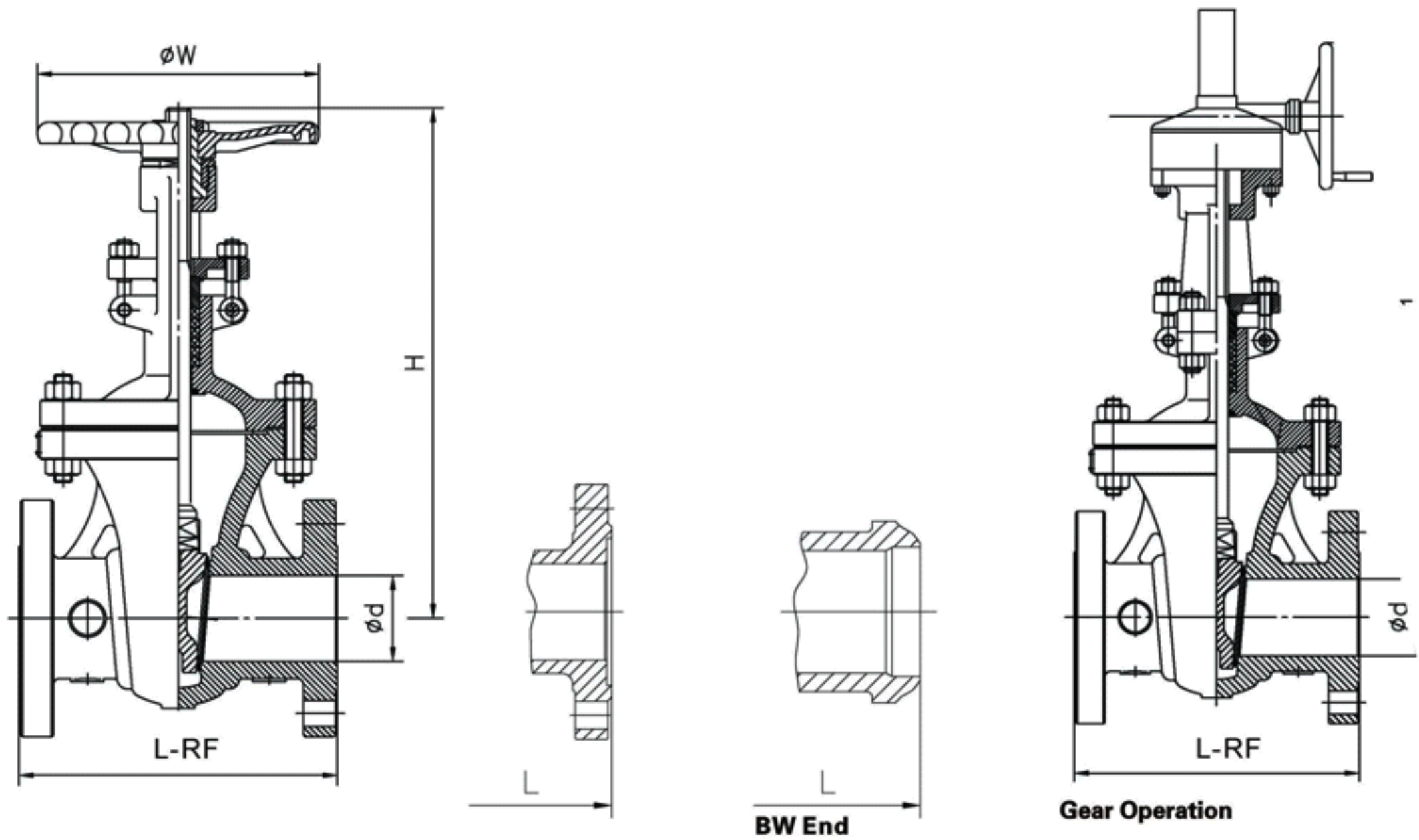
### Standars

Design and Manufacture: DIN3352  
 Face to Face Dimensions: DIN3202  
 Flange Ends Dimensions: DIN2543,  
 DIN2544, DIN2545, DIN2546  
 Test & Inspect: DIN 3230

### Standard Material Specifications

Part Name	Material					
1 Body	DIN 17245 GS-C25+CR13	DIN 17245 GS-C25+STL	DIN 17245 GS-C25+STL	DIN 17445 1.4308	DIN 17445 1.4408	
2 Wedge	DIN 17245 GS-C25+CR13	DIN 17245 GS-C25+CR13	DIN 17245 GS-C25+STL	DIN 17445 1.4308	DIN 17445 1.4408	
7 Bonnet	DIN 17245 GS-C25+CR13	DIN 17245 GS-C25+CR13	DIN 17245 GS-C25+CR13	DIN 17445 1.4308	DIN 17445 1.4408	
9 Gland	ASTM A182 F6a			ASTM A182 F304	ASTM A182 F316	
10 Gland Flange	DIN 17245 GS-C25			DIN 17445 1.4308	DIN 17445 1.4408	
3 Stem	ASTM A182 F6a			ASTM A182 F304	ASTM A182 F316	
4 Nut	A194 2H			A194 8	A194 8	
5 Bolt	A193 B7			A193 B8	A193 B8	
6 Gasket	SS Spiral Wound W/graphite, or SS Spiral Wound W/PTFE, or Reinforced PTFE					
8 Packing	Braided Graphite or Dieformed Graphite Ring or PTFE					
11 Stem Nut	Copper alloy or A439 D2					
12 Hand Wheel	Ductile iron or Carbon steel					

Noted: The chart above only list out some common composition of steel gate valve parts. We may provide other different parts material composition according to the customer's request or the actual valve working condition



### Dimensions

#### PN10

DN	mm	15	20	32	40	50	65	80	100	125	150	200	250	300						
L-RF (F4)	mm	115	120	130	140	150	170	180	190	200	210	230	250	270						
L-BW	mm	115	120	130	140	150	170	180	190	200	210	230	250	270						
H	mm	168	188	268	315	346	370	423	492	528	619	772	921	1064						
W	mm	120	140	180	200	200	200	250	280	280	300	360	400	400						

#### PN16

DN	mm	15	20	25	32	40	50	65	80	100	125	150	200	250	300	350	400	450	500	600
L-RF (F5)	mm	130	150	160	180	240	250	270	280	300	325	350	400	450	500	550	600	650	700	800
L-BW	mm	130	150	160	180	240	250	270	280	300	325	350	400	450	500	550	600	650	700	800
H	mm	170	190	205	270	296	361	380	418	488	531	638	758	906	1058	1215	1392	1542	1676	1900
W	mm	120	140	160	180	200	200	200	250	280	300	360	360	400	450	500	500	600	600	6800

#### PN25

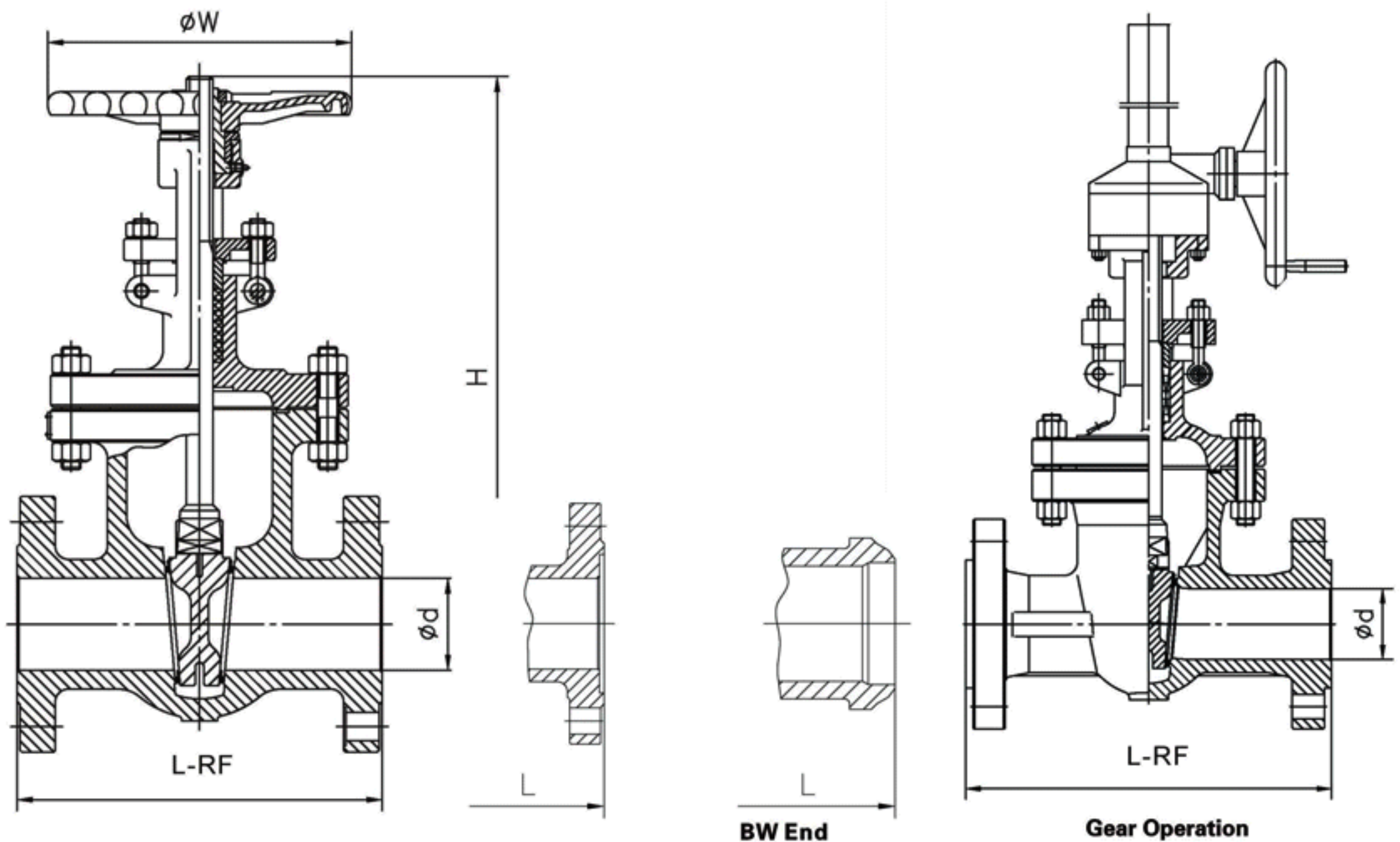
DN	mm	15	20	25	32	40	50	65	80	100	125	150	200	250	300	350	400	450	500	600
L-RF (F5)	mm	130	150	160	180	240	250	270	280	300	325	350	400	450	500	550	600	650	700	800
L-BW	mm	130	150	160	180	240	250	270	280	300	350	350	400	450	500	550	600	650	700	800
H	mm	170	190	205	270	296	362	383	418	496	606	674	766	911	1067	1223	1400	1550	1676	900
W	mm	120	140	160	180	200	200	250	250	250	280	300	350	400	450	500	500	600	600	700

#### PN40

DN	mm	15	20	25	32	40	50	65	80	100	125	150	200	250	300	350	400	500	600
L-RF (F7)	mm	130	150	160	180	240	250	290	310	350	400	450	550	650	750	850	950	1150	1350
L-BW	mm	130	150	160	180	240	250	290	310	350	400	450	550	650	750	850	950	1150	1350
H	mm	170	190	205	270	323	364	389	418	489	541	657	824	985	1183	1312	1458	1658	1976
W	mm	120	140	160	180	200	200	250	250	300	300	360	400	450	500	600	600	650	750

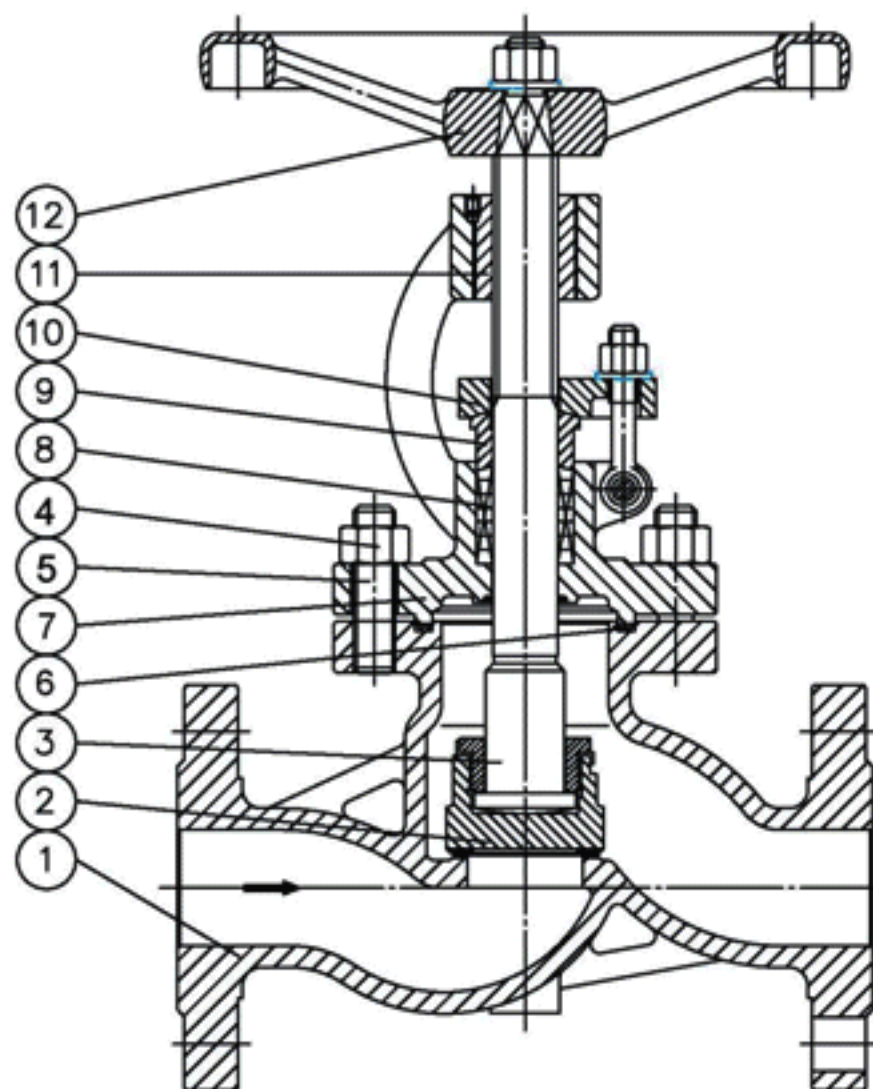
Noted: We may provide other different actuators according to the customer's request, such as pneumatic, electric, hydraulic actuators, the details of them according to the actual valve working condition.

Noted: For  $D_n \leq 40$ , the face to face dimension conform to the F1 series



Dimensions													
PN63													
DN	mm	40	50	65	80	100	125	150	200	250	300	350	400
L-RF (F7)	mm	240	250	290	310	350	400	450	550	650	750	850	950
L-BW	mm	240	250	290	310	350	400	450	550	650	750	850	950
H	mm	323	364	389	418	489	541	657	824	985	1183	1312	1458
W	mm	200	200	250	250	300	300	360	400	450	500	600	600
PN100													
DN	mm	40	50	65	80	100	125	150	200	250	300		
L-RF (F7)	mm	240	250	290	310	350	400	450	550	650	750		
L-BW	mm	240	250	290	310	350	400	450	550	650	750		
H	mm	360	490	540	573	675	744	800	890	1050	1208		
W	mm	180	200	250	280	300	360	450	500	650	700		
PN160													
DN	mm	40	50	65	80	100	125	150	200				
L-RF (F8)	mm	270	300	360	390	450	525	600	750				
L-BW	mm	270	300	360	390	450	525	600	750				
H	mm	365	512	560	585	631	723	820	990				
W	mm	250	280	280	300	360	400	500	650				

Noted: We may provide other different actuators according to the customer's request, such as pneumatic, electric, hydraulic actuators, the details of them according to the actual valve working condition.

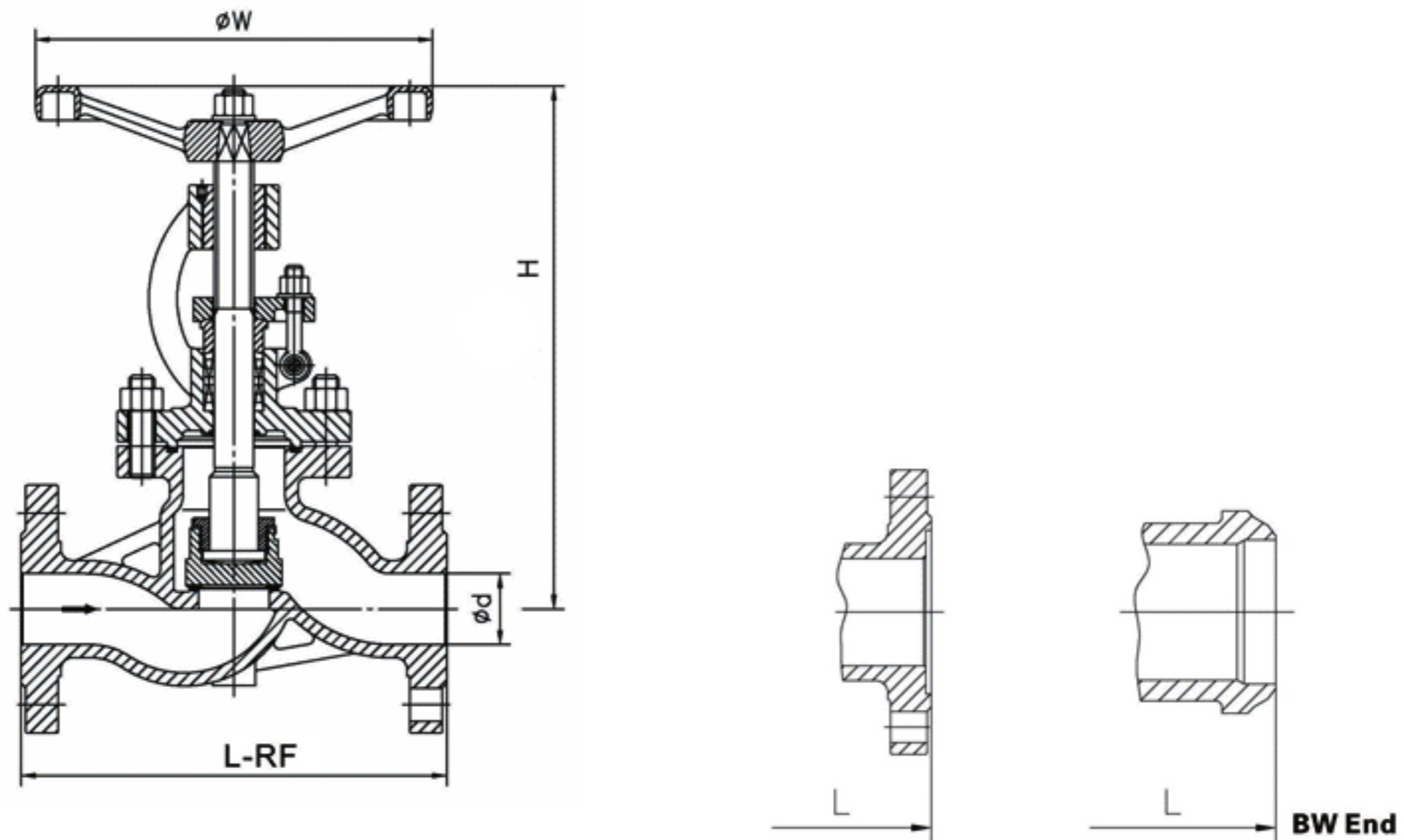


### Standards

Design and Manufacture: BS 1873  
 Face to Face Dimensions: DIN3202  
 Flange Ends Dimensions: DIN2543,  
 DIN2544, DIN2545, DIN2546,  
 DIN2547, DIN2548  
 Test & Inspect: DIN 3230

Part Name	Material					
1 Body	DIN 17245 GS-C25+CR13	DIN 17245 GS-C25+STL	DIN 17245 GS-C25+STL	DIN 17445 1.4308	DIN 17445 1.4408	
2 Disc	DIN 17245 GS-C25+CR13	DIN 17245 GS-C25+CR13	DIN 17245 GS-C25+STL	DIN 17445 1.4308	DIN 17445 1.4408	
7 Bonnet	DIN 17245 GS-C25+CR13	DIN 17245 GS-C25+CR13	DIN 17245 GS-C25+CR13	DIN 17445 1.4308	DIN 17445 1.4408	
9 Gland	ASTM A182 F6a			ASTM A182 F304	ASTM A182 F316	
10 Gland Flange	DIN 17245 GS-C25			DIN 17445 1.4308	DIN 17445 1.4408	
3 Stem	ASTM A182 F6a			ASTM A182 F304	ASTM A182 F316	
4 Nut	A194 2H			A194 8	A194 8	
5 Bolt	A193 B7			A193 B8	A193 B8	
6 Gasket	SS Spiral Wound W/graphite, or SS Spiral Wound W/PTFE, or Reinforced PTFE					
8 Packing	Braided Graphite or reformed Graphite Ring or PTFE					
11 Stem Nut	Copper alloy or A439 D2					
12 Hand Wheel	Ductile iron or Carbon steel					

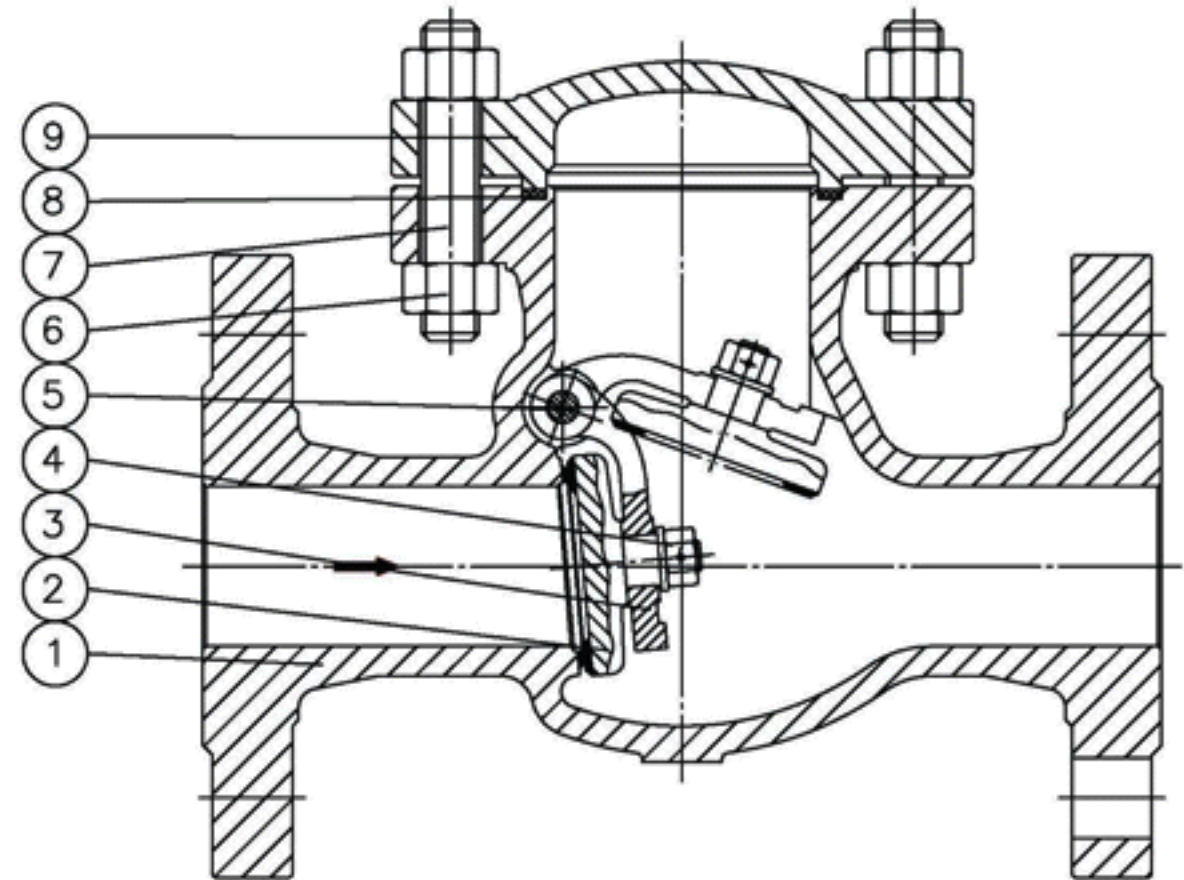
Noted: The chart above only lists out some common composition of steel globe valve parts. We may provide other different parts material composition according to the customer's request or the actual valve working condition



### Dimensions

PN16																	
DN	mm	15	20	25	32	40	50	65	80	100	125	150	200	250	300	350	400
L-RF (F1)	mm	130	150	160	180	200	230	290	310	350	400	480	600	730	850	980	1100
L-BW	mm	130	150	160	180	200	230	290	310	350	400	480	600	730	850	980	1100
H	mm	198	250	266	298	315	326	348	383	428	505	588	710	786	925		
W	mm	120	140	160	180	200	200	250	280	300	360	400	400	450	500		
PN25																	
DN	mm	15	20	25	32	40	50	65	80	100	125	150	200	250	300	350	400
L-RF (F1)	mm	130	150	160	180	200	230	290	310	350	400	480	600	730	850	980	1100
L-BW	mm	130	150	160	180	200	230	290	310	350	400	480	600	730	850	980	1100
H	mm	198	250	266	298	315	326	348	386	436	506	588	710	786	925		
W	mm	120	140	160	180	200	200	250	280	300	360	400	400	450	500		
PN40																	
DN	mm	15	20	25	32	40	50	65	80	100	125	150	200	250	300		
L-RF (F1)	mm	130	150	160	180	200	230	290	310	350	400	480	600	730	850		
L-BW	mm	130	150	160	180	200	230	290	310	350	400	480	600	730	850		
H	mm	241	285	300	327	385	391	433	468	520	608	695	806				
W	mm	120	140	160	180	200	200	250	280	300	360	500	500				
PN63																	
DN	mm	15	20	25	32	40	50	65	80	100	125	150	200	250	300		
L-RF (F2)	mm	210	230	230	260	260	300	340	380	430	500	550	650	775	900		
L-BW	mm	210	230	230	260	260	300	340	380	430	500	550	650	775	900		
W	mm	210	248	275	355	395	450	494	531	588	650	715	813				
PN100																	
DN	mm	15	20	25	32	40	50	65	80	100	125	150	200	250	300		
L-RF (F2)	mm	210	230	230	260	260	300	340	380	430	500	550	650	775	900		
L-BW	mm	210	230	230	260	260	300	340	380	430	500	550	650	775	900		
W	mm	210	248	275	355	395	450	494	531	588	650	715	813				

Noted: We may provide other different actuators according to the customer's request, such as pneumatic, electric, hydraulic actuators, the details of them according to the actual valve working condition.

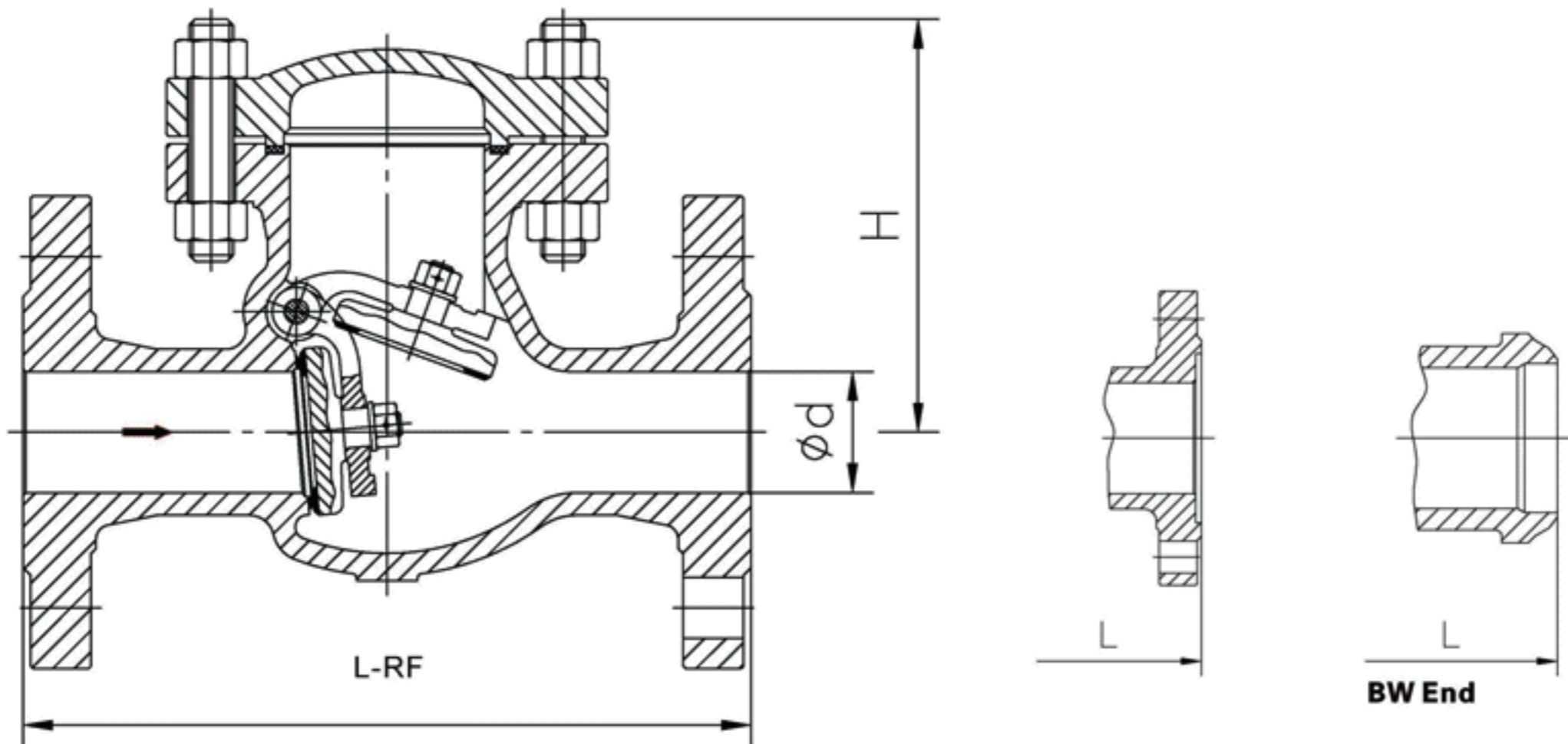


### Standards

Design and Manufacture: DIN3840  
 Face to Face Dimensions: DIN3202  
 Flange Ends Dimensions: DIN2543,  
 DIN2544, DIN2545, DIN2546, DIN2548  
 Test & Inspect: DIN 3230

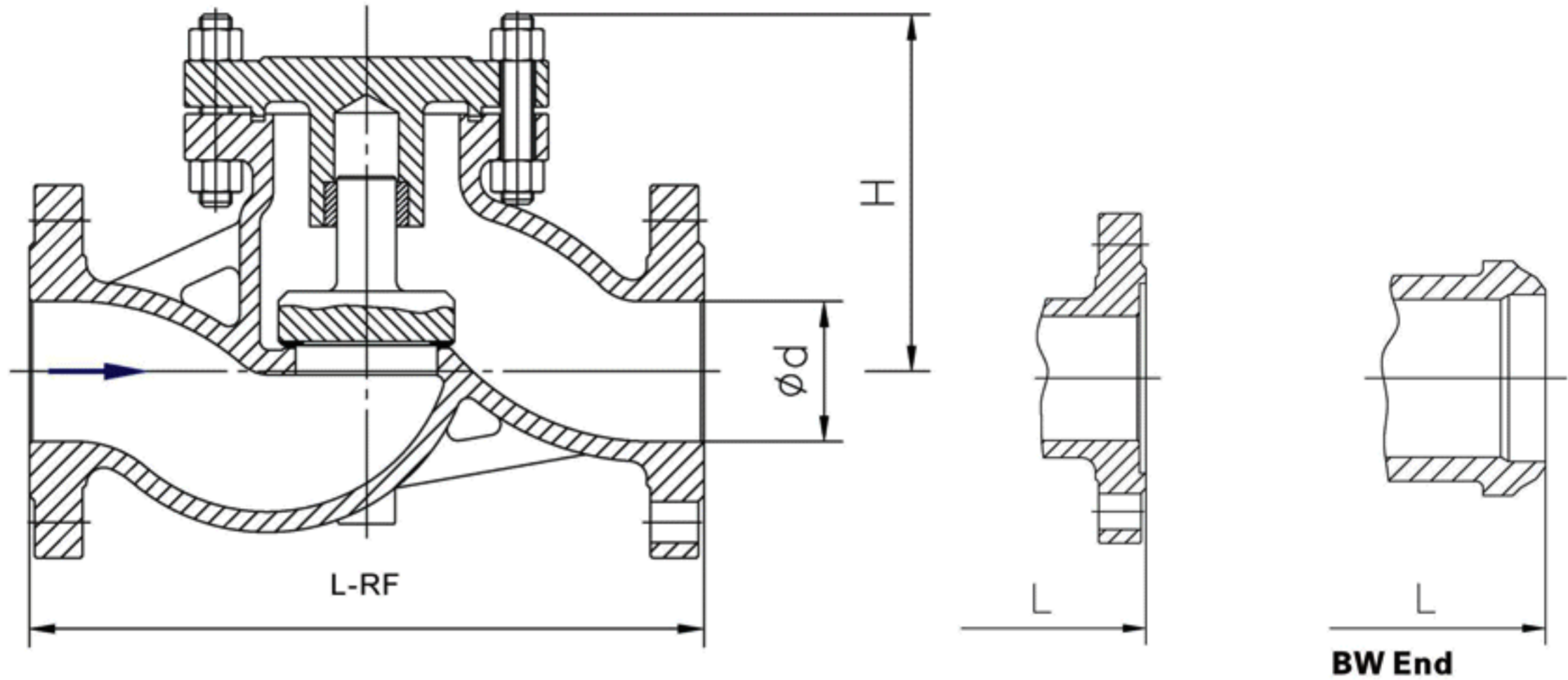
Part Name		Material				
1	Body	DIN 17245 GS-C25+CR13	DIN 17245 GS-C25+STL	DIN 17245 GS-C25+STL	DIN 17445 1.4308	DIN 17445 1.4408
2	Disc	DIN 17245 GS-C25+CR13	DIN 17245 GS-C25+CR13	DIN 17245 GS-C25+STL	DIN 17445 1.4308	DIN 17445 1.4408
9	Cover	DIN 17245 GS-C25	DIN 17245 GS-C25	DIN 17245 GS-C25	DIN 17445 1.4308	DIN 17445 1.4408
3	Arm	DIN 17245 GS-C25	DIN 17245 GS-C25	DIN 17245 GS-C25	DIN 17445 1.4308	DIN 17445 1.4408
5	Pin	ASTM A182 F6a	ASTM A182 F6A	ASTM A182 F6a	ASTM A182 F304	ASTM A182 F316
6	Nut	ASTM A194 2H			ASTM A194 8	ASTM A194 8
7	Bolt	ASTM A194 B7			ASTM A193 B8	ASTM A193 B8
4	Nut	ASTM A194 2H			ASTM A182 F304	ASTM A182 F316
8	Gasket	SS Spiral Wound W/graphite, or SS Spiral Wound W/PTFE, or Reinforced PTFE				

Noted: The chart above only lists out some common composition of steel check valve parts. We may provide other different parts material composition according to the customer's request or the actual valve working condition



### Dimensions

PN16														
DN	mm	40	50	65	80	100	125	150	200	250	300	350	400	500
L-RF (F6)	mm	180	200	240	260	300	350	400	500	600	700	800	900	1100
L-BW	mm	180	200	240	260	300	350	400	500	600	700	800	900	1100
H	mm	129	147	161	178	190	265	285	345	394	420	456	526	628
PN25														
DN	mm	40	50	65	80	100	125	150	200	250	300	350	400	500
L-RF (F6)	mm	180	200	240	260	300	350	400	500	600	700	800	900	1100
L-BW	mm	180	200	240	260	300	350	400	500	600	700	800	900	1100
H	mm	129	147	161	178	190	266	285	345	394	421	458	526	628
PN40														
DN	mm	40	50	65	80	100	125	150	200	250	300	350	400	500
L-RF (F1)	mm	200	230	290	310	350	400	480	600	730	850	980	1100	1250
L-BW	mm	200	230	290	310	350	400	480	600	730	850	980	1100	1250
H	mm	129	147	161	178	190	265	285	332	395	420	460	522	622
PN63														
DN	mm	40	50	65	80	100	125	150	200	250	300	350	400	
L-RF (F2)	mm	260	300	340	380	430	500	550	650	775	900	1025	1150	
L-BW	mm	260	300	340	380	430	500	550	650	775	900	1025	1150	
H	mm	168	175	192	208	244	298	335	390	452	520	574	626	
PN100														
DN	mm	40	50	65	80	100	125	150	200	250	300			
L-RF (F2)	mm	260	300	340	380	430	500	550	650	775	900			
L-BW	mm	260	300	340	380	430	500	550	650	775	900			
H	mm	195	205	224	236	272	305	345	398	456	528			



Dimensions																	
PN16																	
DN	mm	15	20	25	32	40	50	65	80	100	125	150	200	250	300	350	400
L-RF (F1)	mm	130	150	160	180	200	230	290	310	350	400	480	600	730	850	980	1100
L-BW	mm	130	150	160	180	200	230	290	310	350	400	480	600	730	850	980	1100
H	mm	77	77	80	85	95	105	120	130	140	155	180	215	260	315		
PN25																	
DN	mm	15	20	25	32	40	50	65	80	100	125	150	200	250	300	350	400
L-RF (F1)	mm	130	150	160	180	200	230	290	310	350	400	480	600	730	850	980	1100
L-BW	mm	130	150	160	180	200	230	290	310	350	400	480	600	730	850	980	1100
H	mm	100	105	120	130	135	149	160	169	194	222	255	305	355	410		
PN40																	
DN	mm	15	20	25	32	40	50	65	80	100	125	150	200	250	300		
L-RF (F1)	mm	130	150	160	180	200	230	290	310	350	400	480	600	730	850		
L-BW	mm	130	150	160	180	200	230	290	310	350	400	480	600	730	850		
H	mm	100	105	120	130	135	149	160	169	194	225	255	305	360	415		
PN63																	
DN	mm	15	20	25	32	40	50	65	80	100	125	150	200	250	300		
L-RF (F2)	mm	210	230	230	260	260	300	340	380	430	500	550	650	775	900		
L-BW	mm	210	230	230	260	260	300	340	380	430	500	550	650	775	900		
H	mm	100	110	125	140	168	170	188	205	230	240	265	310				
PN100																	
DN	mm	15	20	25	32	40	50	65	80	100	125	150	200	250	300		
L-RF (F2)	mm	210	230	230	260	260	300	340	380	430	500	550	650	775	900		
L-BW	mm	210	230	230	260	260	300	340	380	430	500	550	650	775	900		
H	mm	100	110	125	140	170	185	200	235	265	310	350	400				